



# Stahlin Enclosure Accessories

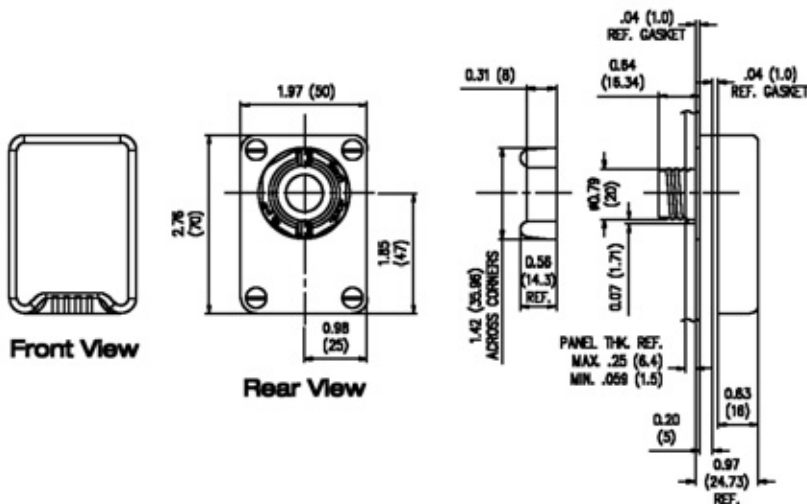
## General Accessories

Stahlin enclosures are created in standard forms and shapes, but the ability to customize into unique end user configurations may be the single best reason to buy Stahlin products. Certain accessories are available by part number and can be added at the time of the enclosure purchase, or added later as a separate item.

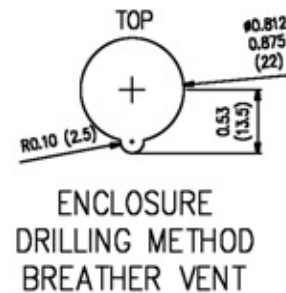
By comparison, modifications are considerably more complex and end user specific and they must be implemented before the enclosure leaves the factory. All items listed as **Accessories** are available as separately priced items. These services designated factory install **Modifications** must be requested at the time of order placement.

### Breather Vent – 4X

Stahlin's non-metallic Breather Vent allows an enclosure to "breathe" — literally allowing the free passage of air while maintaining UL Type 4X enclosure integrity as a recognized component.

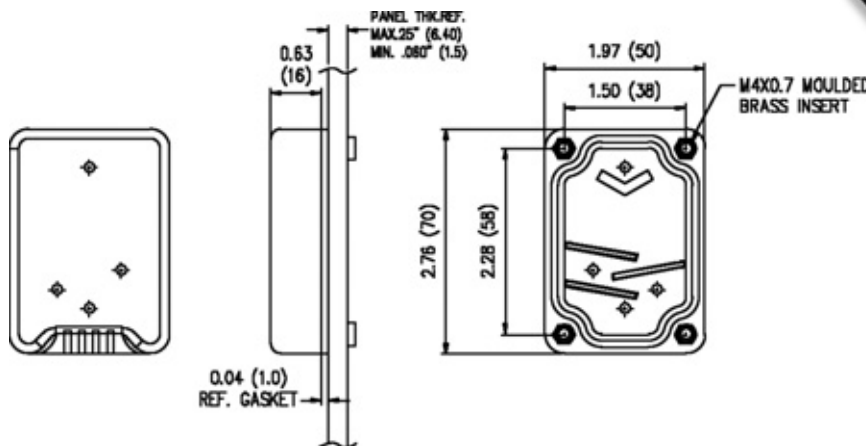


| Breather Vent  |         |
|----------------|---------|
| CATALOG NUMBER | BV4XKIT |

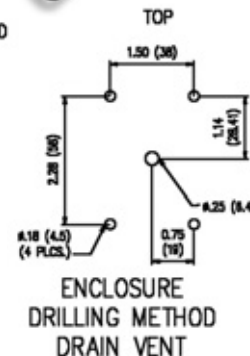


### Drain Vent – 4X

Stahlin's new non-metallic Drain Vent reliably protects electrical equipment housed inside an enclosure by properly draining unwanted moisture or accumulated water from within, while maintaining UL Type 4X enclosure integrity as a recognized component.



| Drain Vent     |         |
|----------------|---------|
| CATALOG NUMBER | DV4XKIT |



## General Accessories

### PVC Coated Hubs for use with PVC Coated Rigid Conduit

For connections using rigid PVC coated conduit, Plasti-Bond Red hubs are available in four standard sizes.



#### Plasti-Bond Red Hubs

| CATALOG NUMBER | SIZE   |
|----------------|--------|
| STPRSTG2       | 3/4"   |
| STPRSTG3       | 1"     |
| STPRSTG4       | 1 1/4" |
| STPRSTG5       | 1 1/2" |

### Copper Free Aluminum Hubs for use with Metallic Conduit

Metallic conduit connections can be made with the use of an aluminum hub available in seven standard sizes.

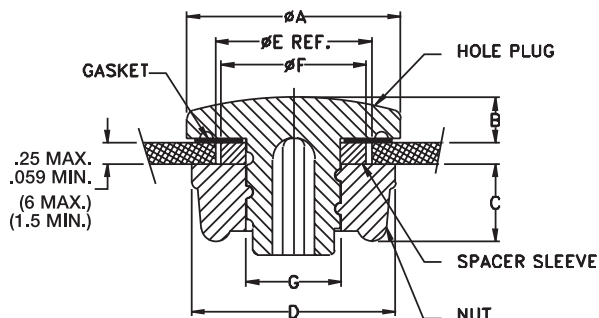


#### Aluminum Hubs

| CATALOG NUMBER | INSIDE DIAMETER | HOLE DIAMETER |
|----------------|-----------------|---------------|
| M50            | 1/2"            | 7/8"          |
| M75            | 3/4"            | 11/16"        |
| M100           | 1"              | 11/4"         |
| M125           | 1 1/4"          | 1 11/16"      |
| M150           | 1 1/2"          | 1 7/8"        |
| M200           | 2"              | 2 3/8"        |
| M250           | 2 1/2"          | 2 7/8"        |
| M300           | 3"              | 3 7/16"       |
| M400           | 4"              | 4 3/8"        |

## Pluggit!

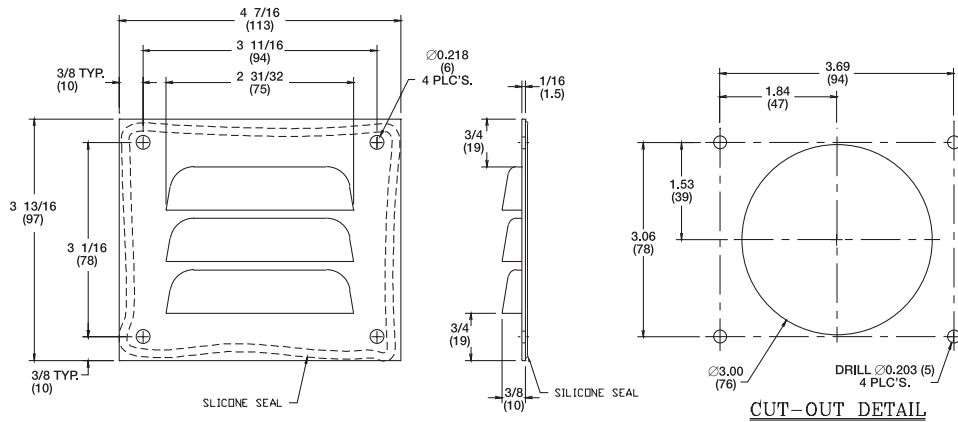
- Superior corrosion resistance compared to rust-prone carbon steel and other metallic alternatives helps ensure increased enclosure life expectancy.
- Cost effective when compared to either carbon or stainless steel alternatives.
- Considerably better long-term resistance to UV degradation versus UV-susceptible soft rubber plugs that turn brittle from extreme temperature variations and repeated UV exposure.
- Will not create galvanic corrosion associated with dissimilar metals sometimes used in electrical enclosures.
- Maintains all chemical resistance features of current Stahlin products.
- Flame retardant material to UL 94V-0.
- A submersion/hosedown rated component for use in electrical enclosures UL recognized to type 4X and 6P.
- IEC tested to IP66 and IP68.



#### Pluggit!

| Kit Number   | Config. | ØA                | B <sup>+0.05"</sup> / <sub>-0.00"</sub> | C                | D<br>Across Flats | ØE Ref. - Nom.<br>Hole Dia. Range | ØF               | ØG                | Common Industry Applications |
|--------------|---------|-------------------|---|------------------|-------------------|-----------------------------------|------------------|-------------------|------------------------------|
| HPSERIES 1   | HP1     |                   |   |                  |                   | 0.50" - 0.56"<br>(12.70 - 14.29)  | N/A              |                   | 1/2" Dia. Hole               |
|              | HP2     | 1.00"<br>(25.40)  | 0.22"<br>(5.59)                         | 0.35"<br>(8.89)  | 0.88"<br>(22.35)  | 0.63" - 0.69"<br>(16.00 - 17.46)  | 0.56"<br>(14.22) | 0.44"<br>(11.18)  | 5/8" Dia. Hole               |
|              | HP3     |                   |   |                  |                   | 0.75" - 0.81"<br>(19.05 - 20.64)  | 0.68"<br>(17.27) |                   | 3/4" Dia. Hole               |
| HPSERIES 1.5 | HP3.5   | 1.20"<br>(30.48)  | 0.22"<br>(5.59)                         | 0.33"<br>(8.38)  | 1.04"<br>(26.39)  | 0.88"<br>(22.35)                  | N/A              | 0.81"<br>(20.57)  | 1/2" Conduit                 |
|              | HP4     |                   |   |                  |                   | 0.88" - 1.00"<br>(22.35 - 25.40)  | N/A              |                   | 1/2" Conduit<br>22mm PB      |
| HPSERIES 2   | HP5     | 1.50"<br>(38.10)  | 0.22"<br>(5.59)                         | 0.38"<br>(9.63)  | 1.38"<br>(35.05)  | 1.06" - 1.12"<br>(26.92 - 28.45)  | 1.03"<br>(26.16) | 0.85"<br>(21.59)  | 3/4" Conduit                 |
|              | HP6     |                   |   |                  |                   | 1.22" - 1.28"<br>(30.73 - 32.51)  | 1.19"<br>(30.22) |                   | 30mm PB                      |
|              | HP7     |                   |   |                  |                   | 1.38" - 1.50"<br>(35.05 - 38.10)  | N/A              | 1.35"<br>(34.29)  | 1" Conduit                   |
| HPSERIES 3   | HP8     | 2.00"<br>(50.80)  | 0.22"<br>(5.59)                         | 0.38"<br>(9.63)  | 1.88"<br>(47.75)  | 1.69" - 1.75"<br>(42.67 - 44.45)  | 1.65"<br>(41.91) |                   | 1-1/4" Conduit               |
|              | HP9     |                   |   |                  |                   | 2.00" - 2.12"<br>(50.80 - 53.85)  | N/A              | 1.97"<br>(50.04)  | 1-1/2" Conduit               |
| HPSERIES 4   | HP10    | 2.75"<br>(69.85)  | 0.22"<br>(5.59)                         | 0.41"<br>(10.41) | 2.63"<br>(66.67)  | 2.50" - 2.56"<br>(63.50 - 65.09)  | 2.44"<br>(61.89) |                   | 2" Conduit                   |
|              | HP11    | 3.38"<br>(85.85)  | 0.22"<br>(5.59)                         | 0.34"<br>(8.63)  | 3.38"<br>(85.85)  | 3.00"<br>(76.20)                  | N/A              | 2.97"<br>(75.44)  | 2-1/2" Conduit               |
| HPSERIES 6   | HP12    | 4.00"<br>(101.60) | 0.22"<br>(5.59)                         | 0.34"<br>(8.63)  | 4.00"<br>(101.60) | 3.62"<br>(91.95)                  | N/A              | 3.59"<br>(91.19)  | 3" Conduit                   |
| HPSERIES 7   | HP13    | 4.50"<br>(114.30) | 0.22"<br>(5.59)                         | 0.38"<br>(9.63)  | 4.50"<br>(114.30) | 4.12"<br>(104.65)                 | N/A              | 4.09"<br>(103.88) | 3-1/2" Conduit               |
| HPSERIES 8   | HP14    | 5.00"<br>(127.00) | 0.22"<br>(5.59)                         | 0.41"<br>(10.41) | 5.00"<br>(127.00) | 4.62"<br>(117.35)                 | N/A              | 4.59"<br>(116.58) | 4" Conduit                   |

### Louver Plate Vent



#### Louver Plate Vent

| CATALOG NUMBER |
|----------------|
| LP1            |
| LPK3KIT        |

Note: Kit includes LP1 plus silicone pack and four rivets



### Drain & Vent

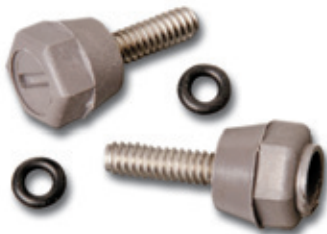


#### Drain & Vent

| CATALOG NUMBER |
|----------------|
| DV1PVC         |
| DVK3KIT        |

Note: Kit includes DV1PVC and silicone packet

### Encapsulated Screws



#### Encapsulated

| CATALOG NUMBER |
|----------------|
| 2PKENCAP       |
| 4PKENCAP       |

### Stainless Steel Screws



#### Stainless Steel Cover Screws

| CATALOG NUMBER | SERIES    | TYPE       |
|----------------|-----------|------------|
| 2PKSS*         | J         | Cover      |
| 4PKSS*         | J         | Cover      |
| 4PKSSCF*       | CF        | Cover      |
| 2PKSSCL*       | CL        | Cover      |
| 4PKBPSS**      | DS, J, CL | Back Panel |
| 4PKBPN1610**   | N         | Back Panel |
| 4PKBPN**       | N         | Back Panel |
| 6PKBPN**       | N         | Back Panel |
| 8PKBPN**       | N         | Back Panel |

Note: \* includes cover screws and "O" rings.  
\*\* includes back panel screws and washers.

## General Accessories

### Vapor Capsule



Stahlin Vapor Capsules contain a unique vapor phase inhibitor designed to protect metallic surfaces within an enclosure against airborne corrosion.

#### Louver Plate Vent

CATALOG NUMBER

VC21

Note: Radius of Protection: 2 ft.

Normal Life Span: 1 yr.

### Plastic Print Pocket

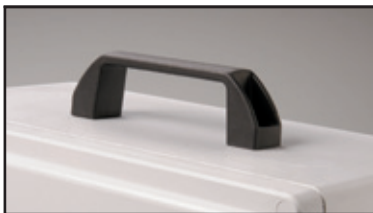


Stahlin's Print Pocket is self adhesive and can be utilized to store prints or other important documents within the enclosure.

#### Stainless Steel Cover Screws

| CATALOG NUMBER | HEIGHT | WIDTH | DEPTH |
|----------------|--------|-------|-------|
| PRTPKT         | 9.3"   | 10.4" | 1.2"  |

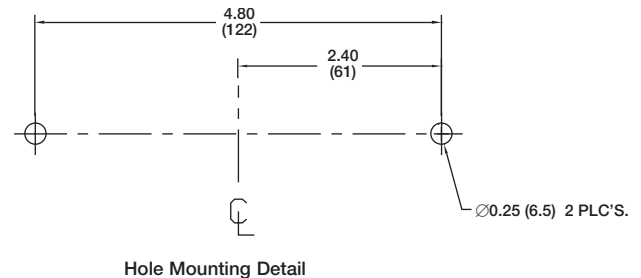
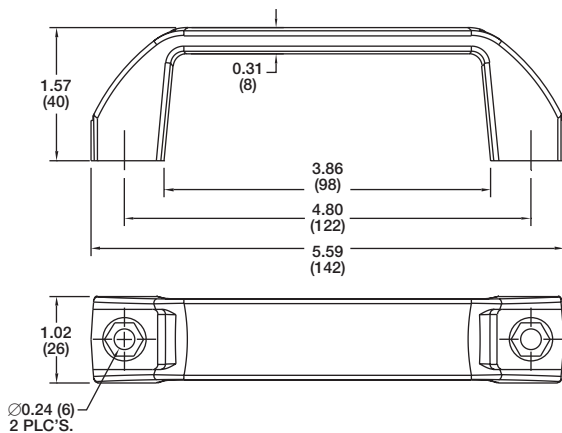
### Carrying Handle



#### Carrying Handle

CATALOG NUMBER

CH109506



## Nylon Cord Grip Fittings

Nylon cord grips are durable and easy to install. The body and sealing nut are manufactured with a tough, impact resistant nylon. Together the nut and washer form a positive sealing grip when installed through an enclosure wall. The oil resistant neoprene grommet and nylon washer fit tightly around an entrance cord, sealing out moisture, dust and foreign materials.

NEMA STD FBI-1983

UL STD 514 File No. 53599 Type 4

CSA STD 22.2 No. 18 File No. 28985 Type 4

HAZ LOC NEC 501-4(b), 502-4(a)(2), 503-3(a)

Class I, Div 2, Class II Div 1 and 2; Class III Div 1 and 2



### Nylon Cord Grip

| CATALOG NUMBER | HUB DIAMETER | CABLE DIAMETER RANGE | INSIDE BODY DIAMETER |
|----------------|--------------|----------------------|----------------------|
| 5122           | 1/2"         | .250-.312            | .625                 |
| 5123           | 1/2"         | .312-.375            | .625                 |
| 5124           | 1/2"         | .375-.437            | .625                 |
| 5125           | 1/2"         | .437-.500            | .625                 |
| 5126*          | 1/2"         | .500-.562            | .625                 |
| 5146           | 3/4"         | .562-.625            | .788                 |

\*Cable jacket may have to be stripped for clearance

### Nominal O.D.

| SIZE | TYPE   | 2 COND | 3 COND | 4 COND |
|------|--------|--------|--------|--------|
| 18   | SV-SVT | .24    | .25    | .26    |
|      | SJ-SJO | .31    | .34    | .36    |
|      | S-SO   | .39    | .41    | .44    |
|      | SJTO   | .30    | .33    | .36    |
|      | STO    | .38    | .39    | .42    |
| 16   | SJ-SJO | .33    | .36    | .39    |
|      | S-SO   | .41    | .43    | .49    |
|      | SJTO   | .32    | .35    | .39    |
|      | STO    | .39    | .42    | .47    |
| 14   | SJO    | .43    | .47    | .61    |
|      | S-SO   | .53    | .56    | .61    |
|      | STO    | .52    | .55    | .59    |
|      | BDC    |        |        | .40    |
| 12   | S-SO   | .61    | .64    | .67    |
|      | STO    | .59    | .63    | .67    |
|      | BDC    |        |        | .45    |
| 10   | S-SO   | .64    | .69    | .75    |
|      | STO    | .64    | .68    | .74    |
|      | BDC    |        |        | .50    |
| 8    | S-SO   | .79    | .90    | .97    |
|      | STO    | .81    | .85    | .96    |
|      | BDC    |        |        | .68    |
| 6    | S-SO   | .91    | .99    | 1.07   |
|      | STO    | .95    | 1.00   |        |
|      | BDC    |        |        | .80    |
| 4    | S-SO   | 1.09   | 1.15   | 1.29   |
|      | STO    | 1.10   | 1.15   | 1.30   |
|      | BDC    |        |        | .94    |
| 2    | STO    | 1.29   | 1.34   |        |
|      | BDC    |        |        | 1.08   |

Dimensional data is taken from various cable manufacturers. It is not guaranteed but usable for general purposes.

## General Accessories

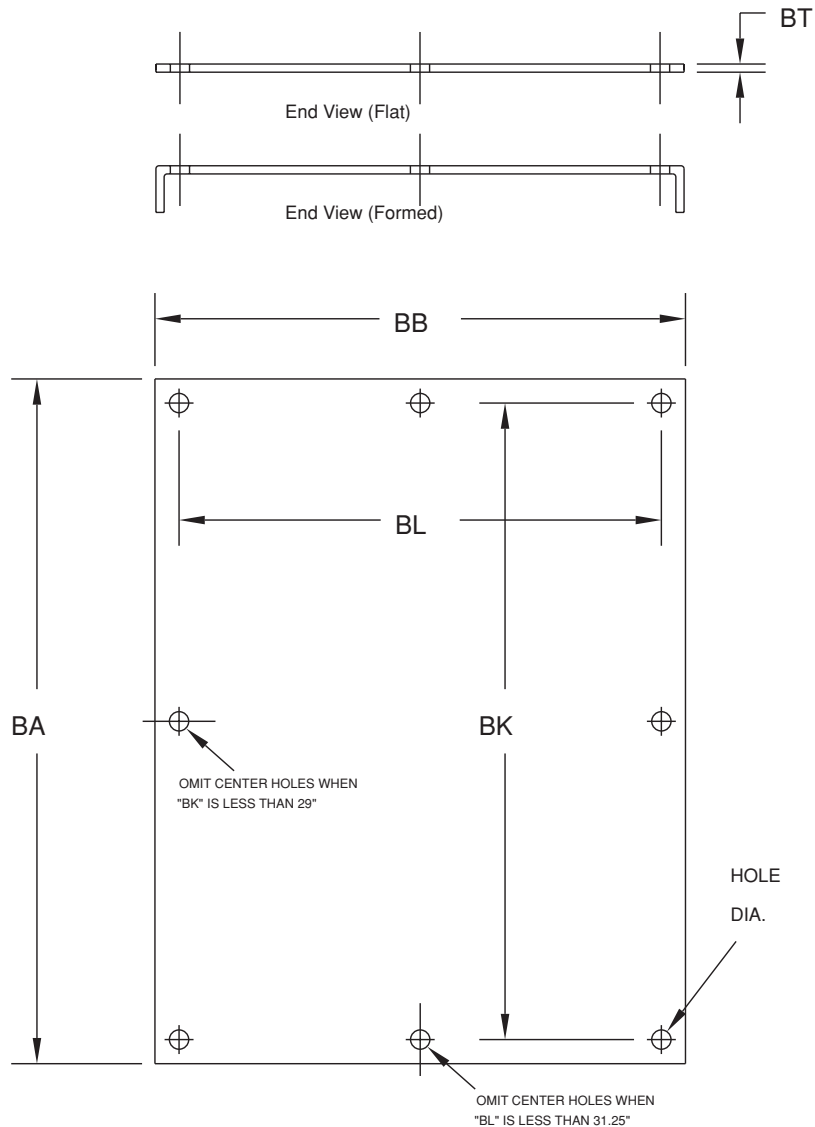
### Back Panels



#### Back Panels

| CATALOG SUFFIX | MATERIAL        | GRADE     | FINISH               | MISC.   |
|----------------|-----------------|-----------|----------------------|---------|
| AL             | Aluminum        | 3003 H14  | None                 |         |
| SS             | Stainless Steel | 304       | None                 |         |
| FG             | Fiberglass      |           |                      | UL94-V0 |
| CS             | Carbon Steel    | 1008/1010 | Painted White Enamel |         |

Note: Available for all product families unless otherwise specified





## Enclosure Specific Accessories

### Typical Series Designators: DS, J, JCC, RJ, CL, PC, F Back Panel Dimensions

| SIZE ID NUMBER | BA             | BB             | BK             | BL             | BT (AL)     | BT (FG)     | BT (SS)     | BT (CS)     | PANEL TYPE | HOLE DIA.  | # OF HOLES | Weight (Aluminum)<br>Suffix: AL | Weight (Fiberglass)<br>Suffix: FG | Weight (Stainless)<br>Suffix: SS | Weight (Carbon Steel)<br>Suffix: CS |
|----------------|----------------|----------------|----------------|----------------|-------------|-------------|-------------|-------------|------------|------------|------------|---------------------------------|-----------------------------------|----------------------------------|-------------------------------------|
| BP64           | 4.88<br>(124)  | 2.88<br>(73)   | 4.25<br>(108)  | 2.25<br>(57)   | .080<br>(2) | .125<br>(3) | .060<br>(2) | .075<br>(2) | Flat       | .25<br>(6) | 4          | 2 oz.                           | 2 oz.                             | 5 oz.                            | 6 oz.                               |
| BP66           | 4.88<br>(124)  | 4.88<br>(124)  | 4.25<br>(108)  | 4.25<br>(108)  | .080<br>(2) | .125<br>(3) | .060<br>(2) | .075<br>(2) | Flat       | .25<br>(6) | 4          | 3 oz.                           | 3 oz.                             | 6 oz.                            | 8 oz.                               |
| BP76           | 6<br>(152)     | 4.88<br>(124)  | 5.38<br>(137)  | 4.25<br>(108)  | .080<br>(2) | .125<br>(3) | .060<br>(2) | .075<br>(2) | Flat       | .25<br>(6) | 4          | 4 oz.                           | 4 oz.                             | 9 oz.                            | 10 oz.                              |
| BP86           | 6.88<br>(175)  | 4.88<br>(124)  | 6.25<br>(159)  | 4.25<br>(108)  | .080<br>(2) | .125<br>(3) | .060<br>(2) | .075<br>(2) | Flat       | .25<br>(6) | 4          | 4 oz.                           | 4 oz.                             | 12 oz.                           | 12 oz.                              |
| BP88           | 6.88<br>(175)  | 6.88<br>(175)  | 6.25<br>(159)  | 6.25<br>(159)  | .080<br>(2) | .125<br>(3) | .060<br>(2) | .075<br>(2) | Flat       | .25<br>(6) | 4          | 5 oz.                           | 5 oz.                             | 15 oz.                           | 15 oz.                              |
| BP96           | 8.25<br>(210)  | 4.88<br>(124)  | 7.63<br>(194)  | 4.25<br>(108)  | .080<br>(2) | .125<br>(3) | .060<br>(2) | .075<br>(2) | Flat       | .25<br>(6) | 4          | 5 oz.                           | 5 oz.                             | 12 oz.                           | 14 oz.                              |
| BP108          | 8.88<br>(225)  | 6.88<br>(175)  | 8.25<br>(210)  | 6.25<br>(159)  | .080<br>(2) | .125<br>(3) | .060<br>(2) | .075<br>(2) | Flat       | .25<br>(6) | 4          | 8 oz.                           | 8 oz.                             | 1.2 lb.                          | 1.3 lb.                             |
| BP1210         | 10.88<br>(276) | 8.88<br>(225)  | 10.25<br>(260) | 8.25<br>(210)  | .080<br>(2) | .125<br>(3) | .060<br>(2) | .075<br>(2) | Flat       | .25<br>(6) | 4          | 12 oz.                          | 14 oz.                            | 1.9 lb.                          | 2.1 lb.                             |
| BP1212         | 10.88<br>(276) | 10.88<br>(276) | 10.25<br>(260) | 10.25<br>(260) | .080<br>(2) | .125<br>(3) | .060<br>(2) | .075<br>(2) | Flat       | .25<br>(6) | 4          | 1 lb.                           | 1.1 lb.                           | 2.3 lb.                          | 2.4 lb.                             |
| BP1407         | 12.88<br>(327) | 5.88<br>(149)  | 12.25<br>(311) | 5.25<br>(133)  | .080<br>(2) | .125<br>(3) | .060<br>(2) | .075<br>(2) | Flat       | .25<br>(6) | 4          | 14 oz.                          | 14 oz.                            | 2 lb.                            | 2.1 lb.                             |
| BP1412         | 12.88<br>(327) | 10.88<br>(276) | 12.25<br>(311) | 10.25<br>(260) | .080<br>(2) | .125<br>(3) | .060<br>(2) | .075<br>(2) | Flat       | .25<br>(6) | 4          | 1.125 lb.                       | 1.3 lb.                           | 2.8 lb.                          | 3 lb.                               |
| BP1614         | 14.88<br>(378) | 12.88<br>(327) | 14.25<br>(362) | 12.25<br>(311) | .080<br>(2) | .125<br>(3) | .060<br>(2) | .075<br>(2) | Flat       | .25<br>(6) | 4          | 1.5 lb.                         | 1.4 lb.                           | 3.8 lb.                          | 4.1 lb.                             |
| BP1816         | 16.88<br>(429) | 14.88<br>(378) | 16.25<br>(413) | 14.25<br>(362) | .080<br>(2) | .125<br>(3) | .060<br>(2) | .075<br>(2) | Flat       | .25<br>(6) | 4          | 1.94 lb.                        | 2 lb.                             | 5.5 lb.                          | 5.4 lb.                             |
| BPJ2016        | 18.88<br>(479) | 14.88<br>(378) | 18.25<br>(463) | 14.25<br>(362) | .080<br>(2) | .125<br>(3) | .060<br>(2) | .075<br>(2) | Flat       | .25<br>(6) | 4          | 2.25 lb.                        | 2.1 lb.                           | 6.1 lb.                          | 6.1 lb.                             |

Caution: Metric units are for reference do not convert.

Note: When specifying combine Size ID Number and Material Suffix

Example: BP64SS for 6x4 Stainless Steel Back Panel

### Typical Series Designators: C - Disconnect Back Panel Dimensions

| SIZE ID NUMBER | BA             | BB             | BK             | BL             | Panel Thickness<br>BT | Panel Type | Hole Dia.    | # of Holes | Weight (Steel)<br>(suffix: CS) | Fits Typical Enclosure Size  |
|----------------|----------------|----------------|----------------|----------------|-----------------------|------------|--------------|------------|--------------------------------|------------------------------|
| BP2016CD       | 16.88<br>(429) | 13.38<br>(340) | 15.25<br>(387) | 11.25<br>(286) | 0.13<br>(2)           | Formed     | 0.31<br>(8)  | 4          | 7.3 lbs.                       | 20 x 16 Disconnect Enclosure |
| BP2412CD       | 20.88<br>(530) | 9.38<br>(238)  | 19.25<br>(489) | 7.25<br>(184)  | 0.13<br>(2)           | Formed     | 0.50<br>(13) | 4          | 6.5 lbs.                       | 24 x 12 Disconnect Enclosure |
| BP2424CD       | 20.88<br>(530) | 21.38<br>(543) | 19.25<br>(489) | 19.25<br>(489) | 0.13<br>(2)           | Formed     | 0.50<br>(13) | 4          | 14 lbs.                        | 24 x 24 Disconnect Enclosure |
| BP3024CD       | 26.88<br>(683) | 21.38<br>(543) | 25.25<br>(641) | 19.25<br>(489) | 0.13<br>(2)           | Formed     | 0.50<br>(13) | 4          | 19 lbs.                        | 30 x 24 Disconnect Enclosure |
| BP3630CD       | 32.88<br>(835) | 27.38<br>(695) | 31.25<br>(794) | 25.25<br>(641) | 0.13<br>(2)           | Formed     | 0.50<br>(13) | 6          | 29 lbs.                        | 36 x 30 Disconnect Enclosure |

Caution: Metric units are for reference do not convert.

Note: Carbon Steel (CS) available only

## Enclosure Specific Accessories

### Typical Series Designation: N Series Back Panel Dimensions

| SIZE ID NUMBER | BA              | BB             | BK              | BL             | BT (AL)     | BT (SS)     | BT (CS)     | PANEL TYPE | HOLE DIA.   | # OF HOLES | Weight (Aluminum)<br>Suffix: AL | Weight (Stainless)<br>Suffix: SS | Weight (Carbon Steel)<br>Suffix: CS |
|----------------|-----------------|----------------|-----------------|----------------|-------------|-------------|-------------|------------|-------------|------------|---------------------------------|----------------------------------|-------------------------------------|
| BP1610         | 13.00<br>(330)  | 8.50<br>(216)  | 12.00<br>(305)  | 7.50<br>(191)  | .080<br>(2) | .060<br>(2) | .105<br>(3) | Flat       | 0.31<br>(8) | 4          | 1 lb                            | 1.5 lbs                          | 3.3 lbs                             |
| BP2016         | 17.00<br>(432)  | 13.00<br>(330) | 15.25<br>(387)  | 11.25<br>(286) | .080<br>(2) | .060<br>(2) | .105<br>(3) | Flat       | .50<br>(13) | 4          | 2 lbs                           | 3.7 lbs                          | 6.7 lbs                             |
| BP2020         | 17.00<br>(432)  | 17.00<br>(432) | 15.25<br>(387)  | 15.25<br>(387) | .080<br>(2) | .060<br>(2) | .105<br>(3) | Flat       | .50<br>(13) | 4          | 2.5 lbs                         | 4 lbs                            | 5.7 lbs                             |
| BP2412         | 21.00<br>(533)  | 9.00<br>(229)  | 19.25<br>(489)  | 7.25<br>(184)  | .080<br>(2) | .060<br>(2) | .105<br>(3) | Flat       | .50<br>(13) | 4          | 1.5 lbs                         | 5 lbs                            | 8.7 lbs                             |
| BP2420         | 21.00<br>(533)  | 17.00<br>(432) | 19.25<br>(489)  | 15.25<br>(387) | .13<br>(3)  | .060<br>(2) | .105<br>(3) | Flat       | .50<br>(13) | 4          | 4.5 lbs                         | 6 lbs                            | 10.8 lbs                            |
| BP2424         | 21.00<br>(533)  | 21.00<br>(533) | 19.25<br>(489)  | 19.25<br>(489) | .13<br>(3)  | .060<br>(2) | .105<br>(3) | Flat       | .50<br>(13) | 4          | 5.5 lbs                         | 7.4 lbs                          | 13.4 lbs                            |
| BP3020         | 27.00<br>(686)  | 17.00<br>(432) | 25.25<br>(641)  | 15.25<br>(387) | .13<br>(3)  | .060<br>(2) | .105<br>(3) | Flat       | .50<br>(13) | 4          | 5.8 lbs                         | 7.7 lbs                          | 14 lbs                              |
| BP3024         | 27.00<br>(686)  | 21.00<br>(533) | 25.25<br>(641)  | 19.25<br>(489) | .13<br>(3)  | .060<br>(2) | .105<br>(3) | Flat       | .50<br>(13) | 4          | 7 lbs                           | 9.6 lbs                          | 17 lbs                              |
| BP3630         | 33.00<br>(838)  | 27.00<br>(686) | 31.25<br>(794)  | 25.25<br>(641) | .13<br>(3)  | .060<br>(2) | .105<br>(3) | Flat       | .50<br>(13) | 4          | 11 lbs                          | 15.2 lbs                         | 27 lbs                              |
| BP3636         | 31.00<br>(787)  | 33.00<br>(838) | 29.00<br>(737)  | 31.00<br>(787) | .13<br>(3)  | .060<br>(2) | .105<br>(3) | Formed     | .50<br>(13) | 6          | 14 lbs                          | 18.5 lbs                         | 33 lbs                              |
| BP4836         | 45.00<br>(1143) | 33.00<br>(838) | 43.25<br>(1099) | 31.25<br>(794) | .13<br>(3)  | .060<br>(2) | .105<br>(3) | Formed     | .50<br>(13) | 8          | 20 lbs                          | N/A                              | 47 lbs                              |
| BP6036         | 57.00<br>(1448) | 33.00<br>(838) | 55.25<br>(1403) | 31.25<br>(794) | .13<br>(3)  | .105<br>(3) | .105<br>(3) | Formed     | .50<br>(13) | 8          | 25 lbs                          | N/A                              | 60 lbs                              |
| BP7225         | 64.00<br>(1626) | 21.00<br>(533) | 62.00<br>(1575) | 19.00<br>(483) | .13<br>(3)  | .105<br>(3) | .105<br>(3) | Formed     | .50<br>(13) | 10         | 18.5 lbs                        | N/A                              | 43 lbs                              |
| * BP7249       | 64.00<br>(1626) | 22.00<br>(559) | 62.00<br>(1575) | 20.00<br>(508) | .13<br>(3)  | .105<br>(3) | .105<br>(3) | Formed     | .50<br>(13) | 10         | 38 lbs                          | N/A                              | 86 lbs                              |
| * BP7260       | 64.00<br>(1626) | 27.50<br>(698) | 62.00<br>(1575) | 25.50<br>(648) | .13<br>(3)  | .105<br>(3) | .105<br>(3) | Formed     | .50<br>(13) | 10         | 46 lbs                          | N/A                              | 109 lbs                             |

\* Set of two panels.

Caution: Metric units are for reference; do not convert.

Note: When specifying combine Size ID Number and Material Suffix

Example: BP1610CS for 16x10 Carbon Steel Back Panel



## Enclosure Specific Accessories – Control Series Back Panels

### Typical Series Designation: N Series Back Panel Dimensions

| SIZE ID NUMBER | BA              | BB             | BK              | BL             | BT (AL)      | BT (FG)     | BT (SS)      | BT (CS)      | PANEL TYPE | HOLE DIA.     | # OF HOLES | Weight (Aluminum)<br>Suffix: AL | Weight (Stainless)<br>Suffix: SS | Weight (Carbon Steel)<br>Suffix: CS |
|----------------|-----------------|----------------|-----------------|----------------|--------------|-------------|--------------|--------------|------------|---------------|------------|---------------------------------|----------------------------------|-------------------------------------|
| BP3648*        | 31.00<br>(787)  | 22.00<br>(559) | 29.00<br>(737)  | 20.00<br>(508) | 0.125<br>(3) | 0.25<br>(6) | 0.060<br>(2) | 0.105<br>(3) | Flat       | 0.500<br>(13) | 8          | 1 lb.                           | N/A                              | 3.3 lbs.                            |
| BP5442*        | 49.00<br>(1245) | 19.00<br>(483) | 47.00<br>(1194) | 17.00<br>(432) | 0.125<br>(3) | 0.25<br>(6) | 0.060<br>(2) | 0.105<br>(3) | Formed     | 0.563<br>(14) | 6          | 2 lbs.                          | N/A                              | 6.7 lbs.                            |
| BP6024         | 57.00<br>(1448) | 21.00<br>(533) | 55.25<br>(1403) | 19.25<br>(489) | 0.125<br>(3) | 0.25<br>(6) | 0.060<br>(2) | 0.105<br>(3) | Formed     | 0.563<br>(14) | 6          | 2.5 lbs.                        | N/A                              | 5.7 lbs.                            |
| BP6048*        | 52.50<br>(1334) | 21.5<br>(546)  | 50.50<br>(1283) | 19.50<br>(495) | 0.125<br>(3) | 0.25<br>(6) | 0.060<br>(2) | 0.105<br>(3) | Formed     | 0.563<br>(14) | 10         | 1.5 lbs.                        | N/A                              | 8.7 lbs.                            |
| BP6060*        | 52.50<br>(1334) | 27.50<br>(699) | 50.50<br>(1283) | 25.50<br>(648) | 0.125<br>(3) | 0.25<br>(6) | 0.060<br>(2) | 0.105<br>(3) | Formed     | 0.563<br>(14) | 10         | 4.5 lbs.                        | N/A                              | 10.8 lbs.                           |
| BP6248*        | 54.50<br>(1384) | 21.50<br>(546) | 52.50<br>(1334) | 19.50<br>(495) | 0.125<br>(3) | 0.25<br>(6) | 0.060<br>(2) | 0.105<br>(3) | Formed     | 0.563<br>(14) | 10         | 5.5 lbs.                        | N/A                              | 13.4 lbs.                           |
| BP6260*        | 54.50<br>(1384) | 27.50<br>(699) | 52.50<br>(1334) | 25.50<br>(648) | 0.125<br>(3) | 0.25<br>(6) | 0.060<br>(2) | 0.105<br>(3) | Formed     | 0.563<br>(14) | 10         | 5.8 lbs.                        | N/A                              | 14 lbs.                             |
| BP7224         | 64.00<br>(1626) | 20.00<br>(508) | 62.00<br>(1575) | 18.00<br>(457) | 0.125<br>(3) | 0.25<br>(6) | 0.060<br>(2) | 0.105<br>(3) | Formed     | 0.563<br>(14) | 10         | 7 lbs.                          | N/A                              | 17 lbs.                             |
| BP7230         | 64.00<br>(1626) | 26.00<br>(660) | 62.00<br>(1575) | 24.00<br>(610) | 0.125<br>(3) | 0.25<br>(6) | 0.060<br>(2) | 0.105<br>(3) | Formed     | 0.563<br>(14) | 10         | 11 lbs.                         | N/A                              | 27 lbs.                             |
| BP7231         | 64.00<br>(1626) | 27.00<br>(686) | 62.00<br>(1575) | 25.00<br>(635) | 0.125<br>(3) | 0.25<br>(6) | 0.060<br>(2) | 0.105<br>(3) | Formed     | 0.438<br>(11) | 10         | 14 lbs.                         | N/A                              | N/A                                 |
| BP7236         | 64.00<br>(1626) | 32.00<br>(813) | 62.00<br>(1575) | 30.00<br>(762) | 0.125<br>(3) | 0.25<br>(6) | 0.060<br>(2) | 0.105<br>(3) | Formed     | 0.563<br>(14) | 10         | 20 lbs.                         | N/A                              | 47 lbs.                             |
| BP7237         | 64.00<br>(1626) | 33.00<br>(838) | 62.00<br>(1575) | 31.00<br>(787) | 0.125<br>(3) | 0.25<br>(6) | 0.060<br>(2) | 0.105<br>(3) | Formed     | 0.563<br>(14) | 10         | 25 lbs.                         | N/A                              | 60 lbs.                             |
| BP7248*        | 64.00<br>(1626) | 21.50<br>(546) | 62.00<br>(1575) | 19.50<br>(495) | 0.125<br>(3) | 0.25<br>(6) | 0.060<br>(2) | 0.105<br>(3) | Formed     | 0.563<br>(14) | 10         | 18.5 lbs.                       | N/A                              | 43 lbs.                             |
| BP7272*        | 64.00<br>(1626) | 33.50<br>(851) | 62.00<br>(1575) | 31.50<br>(800) | 0.125<br>(3) | 0.25<br>(6) | 0.060<br>(2) | 0.105<br>(3) | Formed     | 0.563<br>(14) | 10         | 38 lbs.                         | N/A                              | 128 lbs.                            |
| BP7460*        | 66.00<br>(1676) | 27.50<br>(699) | 64.00<br>(1626) | 25.50<br>(648) | 0.125<br>(3) | 0.25<br>(6) | 0.060<br>(2) | 0.105<br>(3) | Formed     | 0.563<br>(14) | 10         | 46 lbs.                         | N/A                              | 109 lbs.                            |
| BP7472*        | 66.00<br>(1676) | 33.50<br>(851) | 64.00<br>(1626) | 31.50<br>(800) | 0.125<br>(3) | 0.25<br>(6) | 0.060<br>(2) | 0.105<br>(3) | Formed     | 0.563<br>(14) | 10         | 60 lbs.                         | N/A                              | 132 lbs.                            |
| BP9024         | 82.00<br>(2083) | 20.00<br>(508) | 80.00<br>(2032) | 18.00<br>(457) | 0.125<br>(3) | 0.25<br>(6) | 0.060<br>(2) | 0.105<br>(3) | Formed     | 0.563<br>(14) | 10         | 23 lbs.                         | N/A                              | 49 lbs.                             |
| BP9036         | 82.00<br>(2083) | 32.00<br>(813) | 80.00<br>(2032) | 30.00<br>(762) | 0.125<br>(3) | 0.25<br>(6) | 0.060<br>(2) | 0.105<br>(3) | Formed     | 0.563<br>(14) | 10         | 36 lbs.                         | N/A                              | 79 lbs.                             |
| BP9048*        | 82.00<br>(2083) | 21.5<br>(546)  | 80.00<br>(2032) | 19.50<br>(495) | 0.125<br>(3) | 0.25<br>(6) | 0.060<br>(2) | 0.105<br>(3) | Formed     | 0.563<br>(14) | 10         | 48 lbs.                         | N/A                              | 105 lbs.                            |
| BP9072*        | 82.00<br>(2083) | 33.50<br>(851) | 80.00<br>(2032) | 31.50<br>(800) | 0.125<br>(3) | 0.25<br>(6) | 0.060<br>(2) | 0.105<br>(3) | Formed     | 0.563<br>(14) | 10         | 72 lbs.                         | N/A                              | 164 lbs.                            |

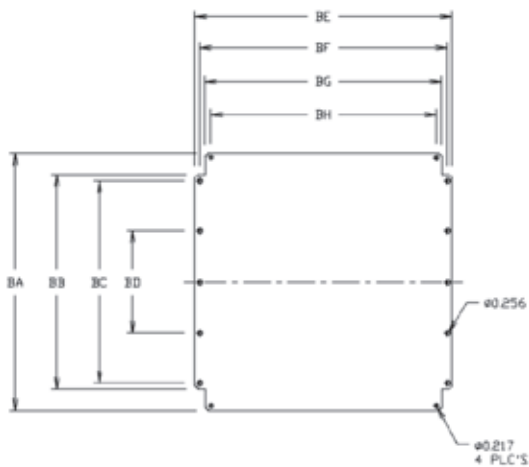
\* Set of two panels.

Caution: Metric units are for reference; do not convert.

Note: When specifying combine Size ID Number and Material Suffix

Example: BP1610CS for 16x10 Carbon Steel Back Panel

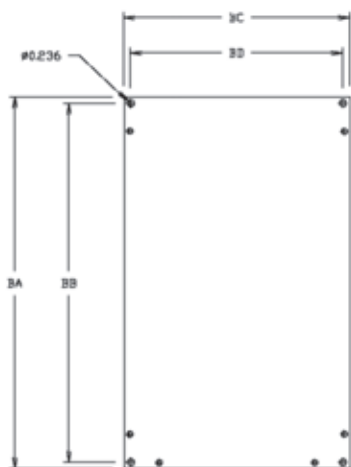
## Enclosure Specific Accessories – DuraBoxx Back Panels



### DuraBoxx® D Series Back Panel Dimensions

| BACK PANEL MODEL NO. | BA             | BB             | BC             | BD            | BE             | BF             | BG             | BH             | # OF HOLES |
|----------------------|----------------|----------------|----------------|---------------|----------------|----------------|----------------|----------------|------------|
| D333BP               | 2.48<br>(63)   | 1.02<br>(26)   | N/A            | N/A           | 2.68<br>(68)   | 2.28<br>(58)   | 1.85<br>(47)   | N/A            | 2          |
| D342BP               | 2.44<br>(62)   | 1.26<br>(32)   | N/A            | N/A           | 3.82<br>(97)   | 3.50<br>(89)   | 3.27<br>(83)   | N/A            | 2          |
| D554BP               | 4.21<br>(107)  | 2.44<br>(62)   | 2.05<br>(52)   | N/A           | 4.29<br>(109)  | 3.74<br>(95)   | 3.39<br>(86)   | 2.83<br>(72)   | 6          |
| D594BP               | 4.21<br>(107)  | 2.44<br>(62)   | 2.05<br>(52)   | N/A           | 8.15<br>(207)  | 7.60<br>(193)  | 7.24<br>(184)  | 6.69<br>(170)  | 6          |
| D774BP               | 5.67<br>(144)  | 3.43<br>(87)   | 2.99<br>(76)   | N/A           | 5.67<br>(144)  | 5.20<br>(132)  | 4.61<br>(117)  | 4.02<br>(102)  | 6          |
| D7114BP              | 5.67<br>(144)  | 3.43<br>(87)   | 2.99<br>(76)   | N/A           | 9.61<br>(244)  | 9.13<br>(232)  | 8.54<br>(217)  | 7.95<br>(202)  | 6          |
| D10105BP             | 9.17<br>(233)  | 6.93<br>(176)  | 3.94<br>(100)  | N/A           | 9.37<br>(238)  | 8.94<br>(227)  | 8.31<br>(211)  | 7.72<br>(196)  | 6          |
| D10165BP             | 9.17<br>(233)  | 6.93<br>(176)  | 3.94<br>(100)  | N/A           | 15.08<br>(383) | 14.65<br>(372) | 14.02<br>(356) | 13.43<br>(341) | 6          |
| D14144BP             | 13.54<br>(344) | 11.30<br>(287) | 10.63<br>(270) | 5.35<br>(136) | 13.54<br>(344) | 13.07<br>(332) | 12.48<br>(317) | 11.89<br>(302) | 10         |
| D16165BP             | 15.28<br>(388) | 13.03<br>(331) | 9.84<br>(250)  | N/A           | 15.04<br>(382) | 14.65<br>(372) | 13.98<br>(355) | 13.43<br>(341) | 6          |

Caution: Metric units are for reference; do not convert.

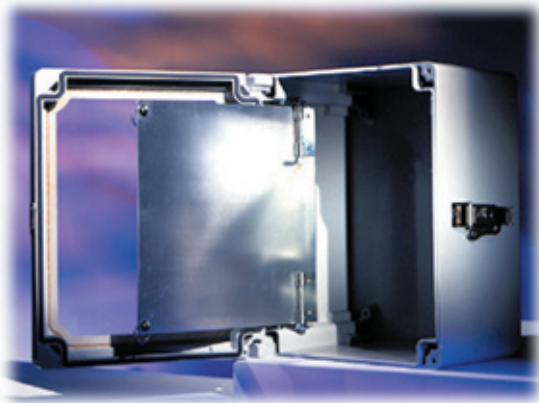


### DuraBoxx® DL Series Back Panel Dimensions

| BACK PANEL MODEL NO. | BA             | BB             | BC             | BD             | # OF HOLES |
|----------------------|----------------|----------------|----------------|----------------|------------|
| DL18127BP            | 13.94<br>(354) | 13.46<br>(342) | 8.46<br>(215)  | 7.95<br>(202)  | 4          |
| DL18168BP            | 14.80<br>(376) | 14.25<br>(362) | 12.83<br>(326) | 12.24<br>(311) | 4          |
| DL24168BP            | 21.89<br>(556) | 21.34<br>(542) | 14.84<br>(377) | 14.21<br>(361) | 4          |

Caution: Metric units are for reference; do not convert.

## Enclosure Specific Accessories - Dead Front Panels



A dead front panel is designed to obscure the view of circuitry or devices while offering a cosmetically pleasing mounting surface. In a designer's view, the dead front panel can represent the cover of the enclosure that will now rest beneath a clear hinged door. This emphasizes the importance of full clear window fronts and fully clear covers.

Stahlin produces a top quality design, inclusive of spring-loaded releasable hinges that make component mounting and panel assembly a very simple task. When properly installed, the panel is securely fixed to the sidewall of the enclosure. This means that load-bearing weights are distributed throughout the assembly. The hinged suspended panel swings out of the way to provide full access to a panel or PC board mounting.

### Typical Series Designators: CL and CLW Series Dead Front Panels

| Size ID Number | H x W                        | Panel Thickness | Panel Type | Weight (Aluminum) (suffix: AL) | Fits Typical Enclosure Size |
|----------------|------------------------------|-----------------|------------|--------------------------------|-----------------------------|
| DF707          | 4.68 x 6.56<br>(119 x 167)   | 0.080<br>(2)    | Flat       | 3 oz.                          | 7 x 7<br>(178 x 178)        |
| DF907          | 6.68 x 6.56<br>(170 x 167)   | 0.080<br>(2)    | Flat       | 4 oz.                          | 9 x 7<br>(229 x 178)        |
| DF1109         | 8.68 x 8.56<br>(220 x 217)   | 0.080<br>(2)    | Flat       | 8 oz.                          | 11 x 9<br>(279 x 229)       |
| DF1311         | 10.68 x 10.56<br>(271 x 268) | 0.080<br>(2)    | Flat       | 12 oz.                         | 13 x 11<br>(330 x 279)      |
| DF1513         | 12.68 x 12.5<br>(322 x 317)  | 0.080<br>(2)    | Flat       | 18 oz.                         | 15 x 13<br>(381 x 330)      |

Note: Available in hinged short side, contact factory for details  
 Available as Factory Install Modification ONLY, contact factory for details  
 Material available only in Aluminum (AL)

## Enclosure Specific Accessories - Dead Front Panels



### Typical Series Designators: J, JW, JCC, RJ, RJW Series Dead Front Panels

| Size ID Number | H x W                        | Panel Thickness | Panel Type | Weight (Aluminum) (suffix: AL) | Fits Typical Enclosure Size |
|----------------|------------------------------|-----------------|------------|--------------------------------|-----------------------------|
| 1008DF         | 9.75 x 7.75<br>(248 x 197)   | 0.080<br>(2)    | Flat       | 8 oz.                          | 10 x 8<br>(254 x 203)       |
| 1210DF         | 11.75 x 9.68<br>(298 x 246)  | 0.080<br>(2)    | Flat       | 12 oz.                         | 12 x 10<br>(305 x 254)      |
| 1412DF         | 13.75 x 11.75<br>(349 x 298) | 0.080<br>(2)    | Flat       | 1.1 lb.                        | 14 x 12<br>(356 x 305)      |
| 1614DF         | 15.75 x 13.75<br>(400 x 349) | 0.080<br>(2)    | Flat       | 1.5 lb.                        | 16 x 14<br>(406 x 356)      |
| 1816DF         | 17.75 x 15.75<br>(451 x 400) | 0.080<br>(2)    | Flat       | 2.5 lb.                        | 18 x 16<br>(457 x 406)      |
| J2016DF        | 19.81 x 15.75<br>(503 x 400) | 0.080<br>(2)    | Flat       | 2.4 lb.                        | 20 x 16<br>(508 x 406)      |

Note: Available as Factory Install Modification ONLY, contact factory for details  
Material available only in Aluminum (AL)

### Typical Series Designators: N Series Dead Front Panels

| Size ID Number | H x W                        | Panel Thickness | Panel Type | Weight (Aluminum) (suffix: AL) | Fits Typical Enclosure Size |
|----------------|------------------------------|-----------------|------------|--------------------------------|-----------------------------|
| 2016DF         | 16.00 x 11.50<br>(406 x 292) | 0.080<br>(2)    | Flat       | 2.4 lbs.                       | 20 x 16<br>(508 x 406)      |
| 2420DF         | 20.00 x 15.38<br>(508 x 391) | 0.080<br>(2)    | Flat       | 3.8 lbs.                       | 24 x 20<br>(610 x 508)      |
| 2424DF         | 20.00 x 19.38<br>(508 x 492) | 0.080<br>(2)    | Flat       | 4.8 lbs.                       | 24 x 24<br>(610 x 610)      |
| 3020DF         | 26.00 x 15.38<br>(660 x 391) | 0.080<br>(2)    | Flat       | 5.0 lbs.                       | 30 x 20<br>(762 x 508)      |
| 3024DF         | 26.00 x 20.25<br>(660 x 514) | 0.080<br>(2)    | Flat       | 6.5 lbs.                       | 30 x 24<br>(762 x 610)      |
| 3630DF         | 32.50 x 25.88<br>(826 x 657) | 0.080<br>(2)    | Flat       | 10.5 lbs.                      | 36 x 30<br>(914 x 762)      |

Note: Available as Factory Install Modification ONLY, contact factory for details  
Material available only in Aluminum (AL)

## Enclosure Specific Accessories - Latches for Field Replacements or Modifications



J Series - JLL150KIT



NLL150WTKIT



SSLKIT



Control / N Series NLL150KIT

### Latches for Field Replacement

| SIZE ID NUMBER | CONFIGURATION | FAMILY    | MAINTAINS DESCRIPTION  |
|----------------|---------------|-----------|--|
| JLL150KIT      | HLL           | J, RJ, CL | Standard link lock latch used for "HLL" designations Type 4X     |
| NLL150KIT      | HLL           | N         | Standard link lock latch used on "N" Series Type 12, 3R and 4X   |
| NLL150WTKIT    | HLL           | N         | Standard link lock latch used on "N" Series Type 4X top & bottom |
| SSLKIT         | HPL           | J, RJ, CL | Standard padlock latch used for "HPL" designations Type 4X       |



WKJLatch



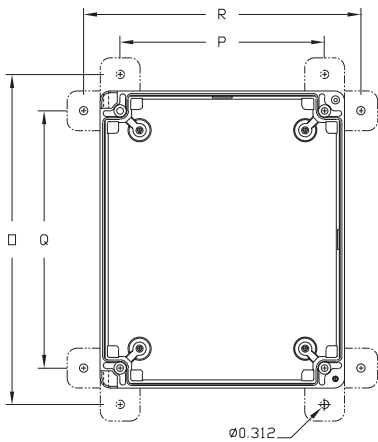
HASPKITSS

### Field Replacements or Modifications

| SIZE ID NUMBER | CONFIGURATION     | FAMILY | MAINTAINS DESCRIPTION  |
|----------------|-------------------|--------|--|
| WKJLatch       | Wing Through Door | J, RJ  | Operator mechanism for "J" series.                           |
| HASPKITSS      | N/A               | N      | Stainless steel alternate hasp pin for "N" Series enclosures |
| HASPKITFG      | N/A               | N      | Fiberglass alternate hasp pin for "N" series enclosures      |

## Enclosure Specific Accessories – Mounting Feet

### Classic Series Mounting Feet

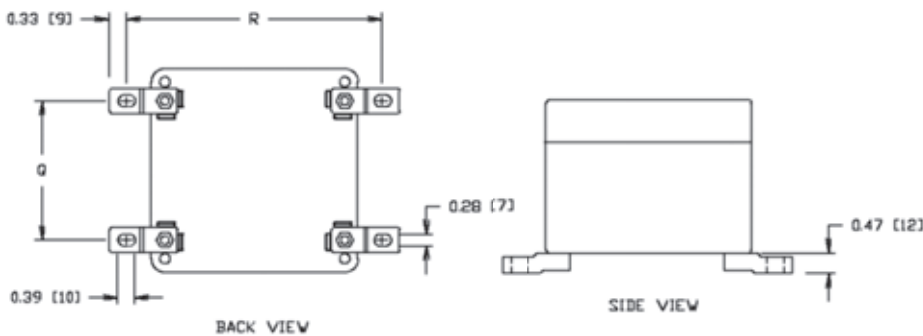


Mounting Feet  
CLMTGFKIT

#### Classic Series Mounting Feet Dimensions

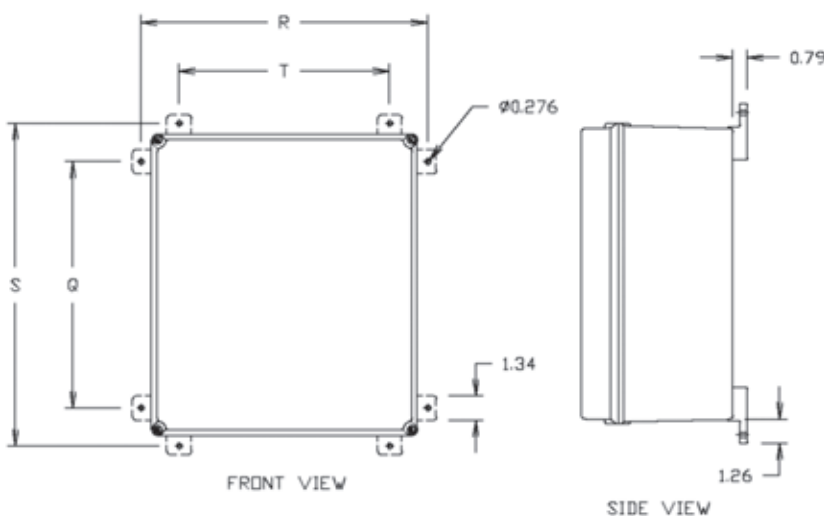
| SIZE | O              | P              | Q              | R              |
|------|----------------|----------------|----------------|----------------|
| 707  | 8.46<br>(215)  | 5.71<br>(145)  | 5.71<br>(145)  | 8.46<br>(215)  |
| 907  | 10.46<br>(266) | 5.71<br>(145)  | 7.71<br>(196)  | 8.46<br>(215)  |
| 1109 | 12.46<br>(316) | 7.71<br>(196)  | 9.71<br>(247)  | 10.46<br>(266) |
| 1311 | 14.46<br>(367) | 9.71<br>(247)  | 11.71<br>(297) | 12.46<br>(316) |
| 1513 | 16.46<br>(418) | 11.71<br>(297) | 13.71<br>(348) | 14.46<br>(367) |

### DuraBoxx® Mounting Feet



#### DuraBoxx® D Series Optional Mounting

| USED WITH MODEL NO. | MOUNTING Q X R               | MTG FOOT KIT NO. |
|---------------------|------------------------------|------------------|
| D554W               | 3.23 x 5.98<br>(82 x 152)    | DMTGKIT          |
| D594W               | 3.23 x 9.84<br>(82 x 250)    | DMTGKIT          |
| D774W               | 4.33 x 7.32<br>(110 x 186)   | DMTGKIT          |
| D7114W              | 4.33 x 11.26<br>(110 x 286)  | DMTGKIT          |
| D10105W             | 7.87 x 11.06<br>(200 x 281)  | DMTGKIT          |
| D10165W             | 7.87 x 16.77<br>(200 x 426)  | DMTGKIT          |
| D14144W             | 12.20 x 15.20<br>(310 x 386) | DMTGKIT          |
| D16165W             | 13.98 x 16.77<br>(355 x 426) | DMTGKIT          |



#### DuraBoxx® DL Series Optional Mounting

| USED WITH MODEL NO. | MOUNTING Q X R               | MOUNTING S X T               | MTG FOOT KIT NO. |
|---------------------|------------------------------|------------------------------|------------------|
| DL18127W            | 12.66 x 11.34<br>(321 x 288) | N/A                          | DLMTGKIT         |
| DL18168W            | 13.53 x 15.73<br>(344 x 400) | 17.70 x 11.56<br>(450 x 294) | DLMTGKIT         |
| DL24168W            | 20.63 x 17.70<br>(524 x 450) | 24.80 x 13.53<br>(630 x 344) | DLMTGKIT         |

Caution: Metric units are for reference; do not convert



**FT** Fiberglass Trough


FT6612

Fiberglass trough is a useful complement to wall mount control systems. Made from fiberglass pultrusion, trough features permanent end caps as well as a snap lock cover that forms a solid housing.

Trough is offered as simple protection to wiring from water, oil, dust or corrosive environments, including greenhouses, food processing, plating rooms, pickling and printed circuit board manufacturing. The basic offering includes a six by six structure that is available in six common lengths.

Fiberglass trough & strut do not carry any UL or CSA ratings.

**Fiberglass Trough Dimensions**

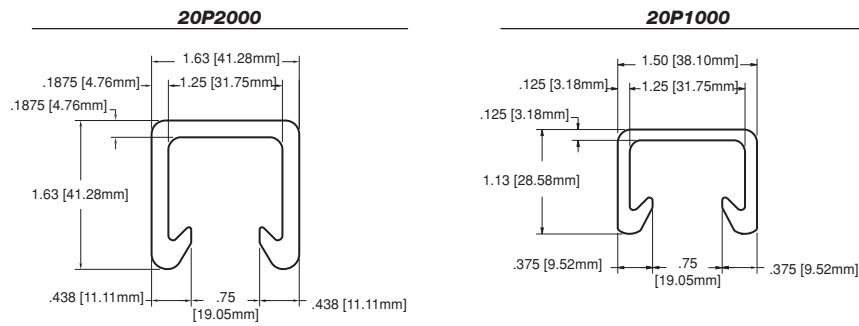
| SIZE ID NUMBER | INSIDE DIMENSIONS<br>H X W X D    | OUTSIDE DIMENSIONS<br>H X W X D               | UNIT WEIGHT |
|----------------|-----------------------------------|---|-------------|
| FT6612         | 6 x 6 x 12<br>(152 x 152 x 305)   | 6-3/8 x 6-5/8 x 12-3/8<br>(162 x 168 x 314)   | 4.82 lbs.   |
| FT6624         | 6 x 6 x 24<br>(152 x 152 x 610)   | 6-3/8 x 6-5/8 x 24-3/8<br>(162 x 168 x 619)   | 8.61 lbs.   |
| FT6636         | 6 x 6 x 36<br>(152 x 152 x 914)   | 6-3/8 x 6-5/8 x 36-3/8<br>(162 x 168 x 924)   | 12.40 lbs.  |
| FT6648         | 6 x 6 x 48<br>(152 x 152 x 1219)  | 6-3/8 x 6-5/8 x 48-3/8<br>(162 x 168 x 1229)  | 16.19 lbs.  |
| FT6660         | 6 x 6 x 60<br>(152 x 152 x 1524)  | 6-3/8 x 6-5/8 x 60-3/8<br>(162 x 168 x 1534)  | 19.98 lbs.  |
| FT66120        | 6 x 6 x 120<br>(152 x 152 x 3048) | 6-3/8 x 6-5/8 x 120-3/8<br>(162 x 168 x 3058) | 40.00 lbs.  |

All measures are in inches, items in parentheses are in millimeters.

## Fiberglass Trough & Strut

### Fiberglass Strut

Fiberglass strut is the finishing complement to trough. Used for both mounting purposes and support, this rigid pultruded fiberglass mounting system is designed around two configurations. This rigid support system is completely corrosion resistant.



### Fiberglass Strut

| SIZE ID NUMBER | SIZE (INCHES) | WEIGHT PER 100' STRUT |
|----------------|---------------|-----------------------|
| 20P2000        | 10' length    | 65.0                  |
| 20P1000        | 10' length    | 52.0                  |